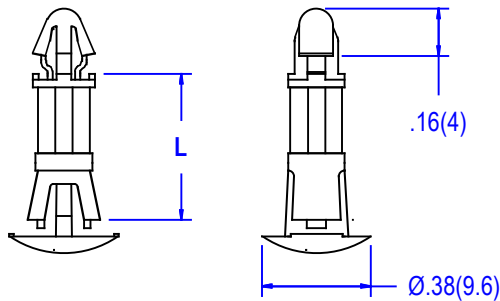


01-86 SERIES

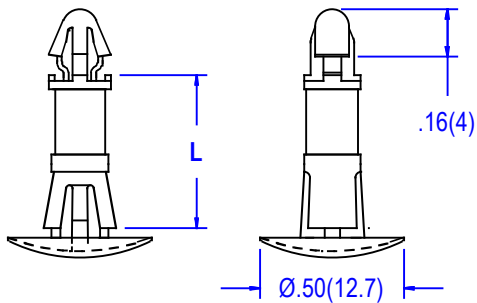
.157 ± .003 (4 ± 0.08) Ø hole, .062 (1.6) board Thickness



ITEM NO.	L	
	In. ±.015	mm. ± 0.4
01-86-60	.236	6.0
01-86-80	.315	8.0
01-86-100	.393	10.0
01-86-120	.472	12.0
01-86-140	.552	14.0

.213 ± .003 (5.4 ± 0.08) Ø hole, .062 (1.6) Panel thickness

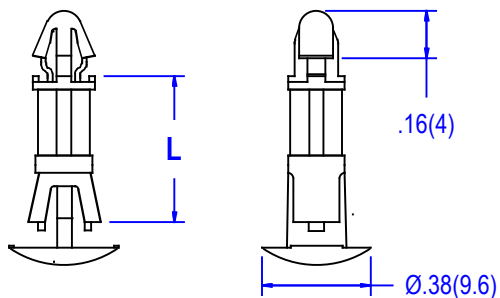
.157 ± .003 (4 ± 0.08) Ø hole, .062 (1.6) board Thickness



ITEM NO.	L	
	In. ±.015	mm. ± 0.4
01-86-1-80	.315	8.0
01-86-1-100	.393	10.0
01-86-1-120	.472	12.0
01-86-1-140	.552	14.0

.213 ± .003 (5.4 ± 0.08) Ø hole, .062 (1.6) Panel thickness

.157 ± .003 (4 ± 0.08) Ø hole, .062 (1.6) board Thickness



ITEM NO.	L	
	In. ±.015	mm. ± 0.4
01-86-2-60	.236	6.0
01-86-2-80	.315	8.0
01-86-2-100	.393	10.0
01-86-2-120	.472	12.0
01-86-2-140	.552	14.0

.213 ± .003 (5.4 ± 0.08) Ø hole, .078 (2.0) Panel thickness

PACKAGING : 1000 PER BAG

MATERIAL	NYLON 66
UL RATING	94V-2
UL FILE NO.	E41938
COLOR	NATURAL
RoHS COMPLIANCE	YES
TEMPERATURE RANGE (REF.)	-40 to 185°F (-40 to 85°C)
MR NUMBER	12

No	Revision	Date	By	DRAWN	F. L	10-20-18	Title	Issue
				CUSTOMER			CIRCUIT BOARD SUPPORT, REVERSE	<div style="text-align: center;">○</div>
				VERIFIED			File No. 01-86 series	
				REVIEWED			ALL ELECTRONICS HARDWARE, INC. 2642 CORPORATE PARKWAY ALGONQUIN, IL. 60102 1-800-778-7234	
				DRAWN	F. L	10-20-18		